

RV Pump

87Series

FEATURES

- Self priming
- Pluggable connectors
- Run dry without damage
- Corrosion resistant metal
- Thermal protection equipped
- Quiet and high efficient performance

APPLICATIONS

- Sprayer system
- Domestic water system
- RV & Marine water system power source



COMMON MODEL

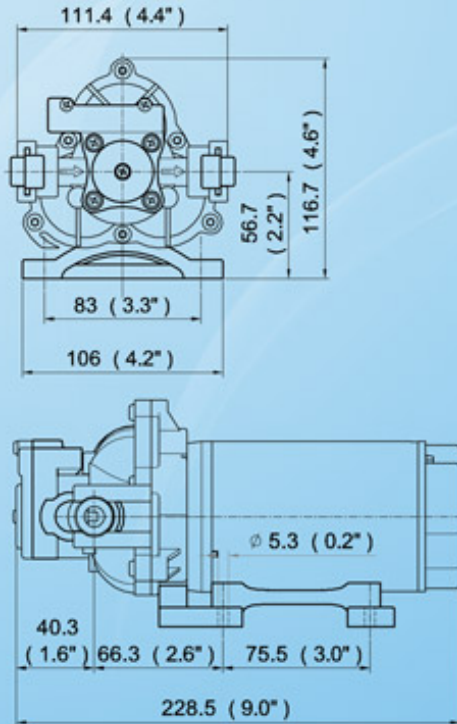
Name	Voltage	Flow rate	Current	Shut-off
Basic	12VDC	2.5GPM(9.5L)	7 AMPS	40 PSI
Basic Plus	12VDC	3GPM(11.5L)	10 AMPS	40 PSI
General	24VDC	3GPM(11.5L)	4.5 AMPS	40PSI
Park resort	115VAC	3GPM(11.5L)	0.8 AMPS	40 PSI
	230VAC	3GPM(11.5L)	0.4 AMPS	40 PSI



AQQ Pumps and Accessories

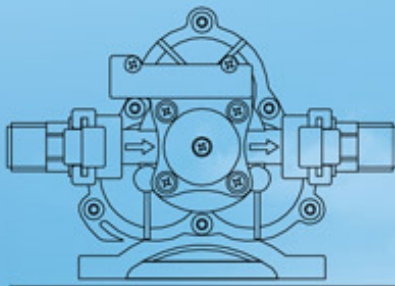
<http://www.aqq.com.tw>




Dimension:MM (INCH)



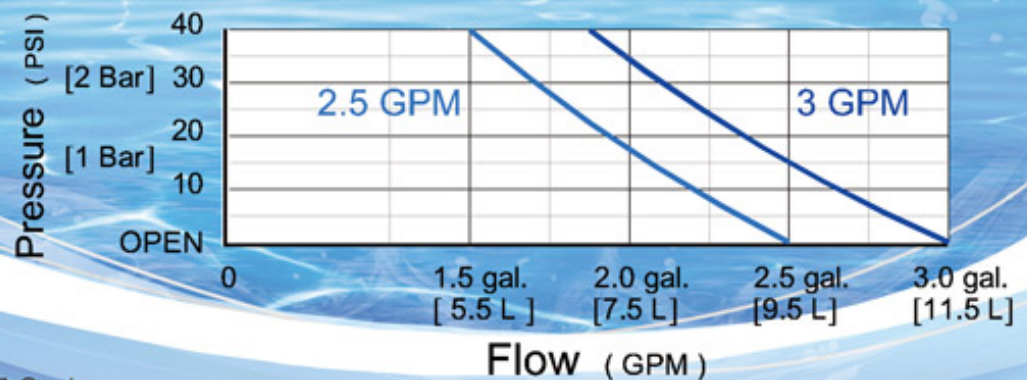
Specifications:

⊙ Design	Positive displacement 3 chamber diaphragm pump
⊙ Motor	Permanent magnet
⊙ Voltage	12, 24 VDC ; 115/230VAC
⊙ Ports	Open port
⊙ Material	Santoprene™ & Polyamide
⊙ Pressure control	Adjustable shut-off switch



Open Port Compression Fitting Options		(custom available)
1/2" - 14 NPT #TN0102 I#	1/2" HOSE BARB #HI0102 I#	
		

Flow Curve



Test Condition

1. TEST MODEL : 87 Series
2. INLET PRESSURE : 0 psi

Note:

Technical specification sheets are available for individual model numbers, AQ&Q reserves the right to update specifications, change prices, or make substitutions without prior notice.