

69Series

BENEFITS

- Corrosion resistant metal
- Easy to assemble
- Run dry without damage
- Self priming

FEATURES

- Long life designed
- Low vibration
- Quiet and High efficient performance
- Variety voltage version available

APPLICATIONS

- Reverse Osmosis system
- Beverage system
- Domestic water system
- Sparkling system



COMMON MODEL

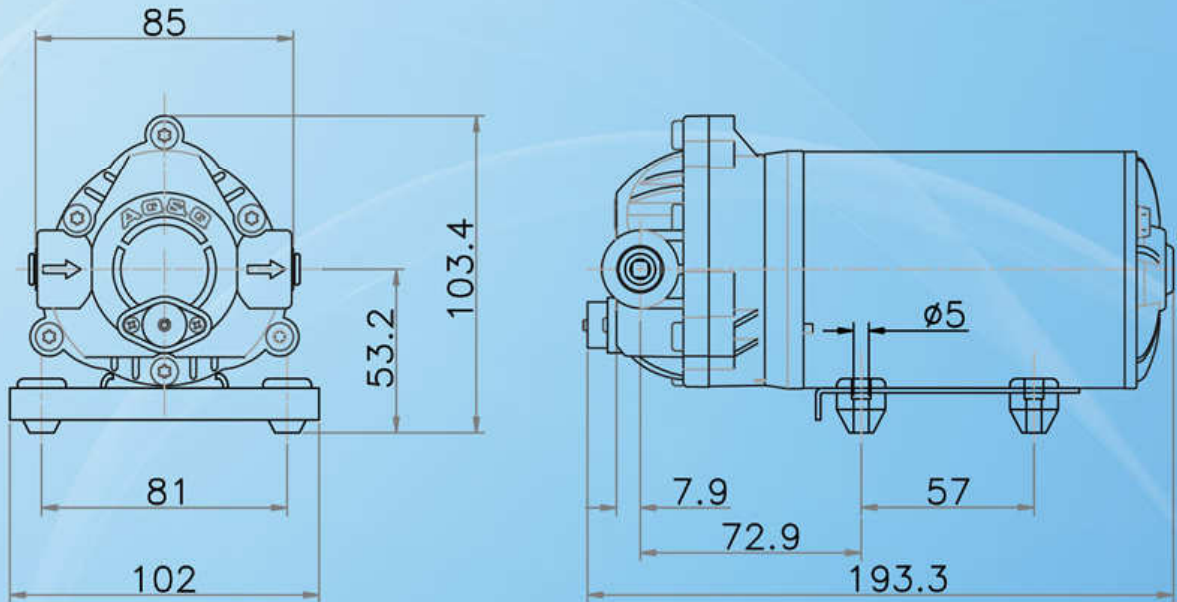
Name	Flow
K-36	50GPD
E-36	50GPD
E-100	100GPD
E-150	150GPD



AQQQ Pumps and Accessories

<http://www.aqq.com.tw>

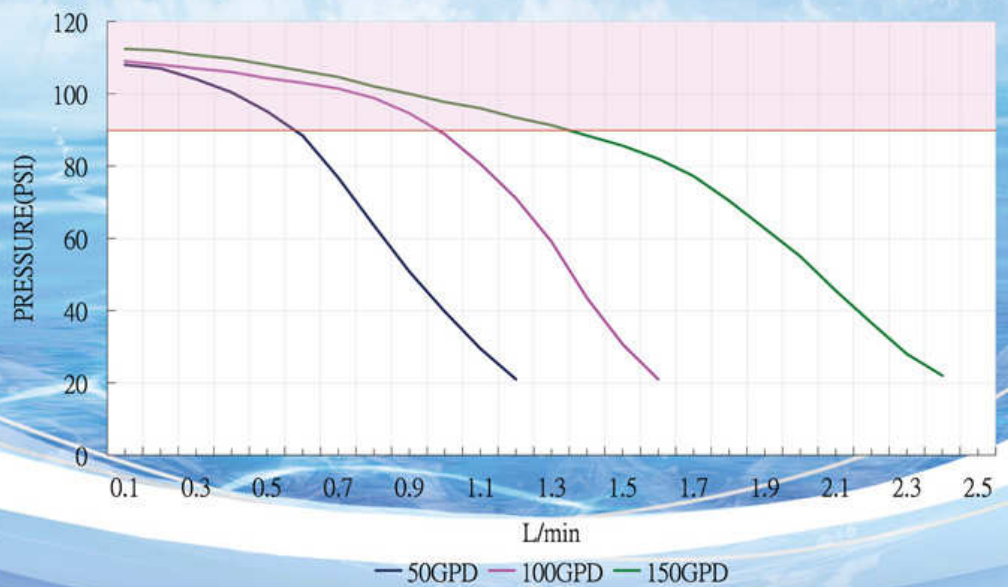
Dimension



Specifications:

⊙ Design	Positive displacement 3 chamber diaphragm pump
⊙ Motor	Permanent magnet motors. Ball bearing drive.
⊙ Voltage	24 VDC/VAC (Variety voltage available)
⊙ Ports	3/8" NPT female inlet/outlet (1/4" Quick Connect available)
⊙ Material	Santoprene™ & Polyamide

Flow Curve



Test Condition

Inlet Pressure : 20 psi

Recommendation:

For Reverse Osmosis system application, pressure shall not over 90psi.

Note:

Technical specification sheets are available for individual model numbers, AQ&Q reserves the right to update specifications, change prices, or make substitutions without prior notice.